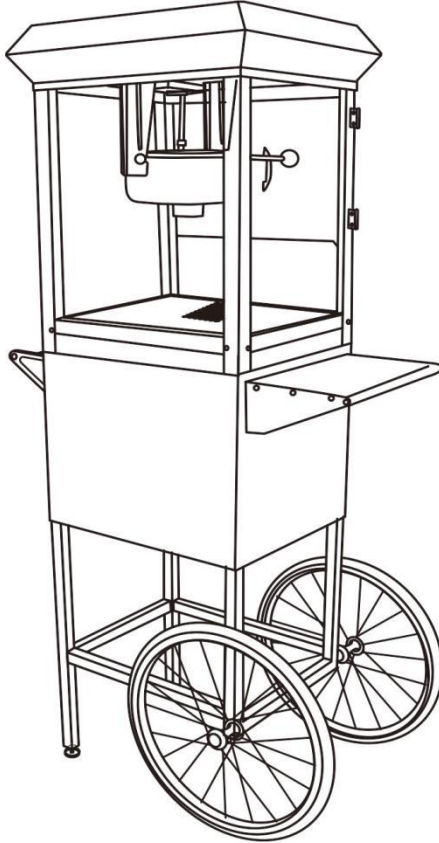


# ELINS



80Z POPCORN MACHINE

INSTRUCTION MANUAL

ALWAYS READ ALL INSTRUCTIONS BEFORE USING

## **IMPORTANT SAFEGUARDS**

*Safety precautions should always be followed when using electrical appliances. These precautions include the following:*

1. **READ ALL INSTRUCTIONS PRIOR TO USING YOUR POPCORN MACHINE.**
2. Before operating the popcorn machine, always make sure it is located on a flat and level surface. Do not place the unit on or near a hot gas or electric burner or in a heated oven.
3. **KEEP OUT OF REACH OF CHILDREN.** Close supervision is necessary when it is being used near children.
4. Position appliance close to a power outlet to avoid the possibility of tripping over the power cord.
5. Always connect the electrical cord between the popping kettle and the main unit first, and then connect the main power cord into a wall outlet.
6. This appliance has a polarized plug (one blade is wider than the other). To reduce the risk of electrical shock, this plug is intended to fit into a polarized outlet only one way. If the plug does not fit into the outlet, reverse the plug. If it still does not fit, contact a qualified electrician. Do not attempt to modify the plug in any way.
7. The popping kettle should NOT be connected to ANY electrical cord not included in this unit.
8. Do not leave power cord hanging over the edge of a table or counter and do not allow it to come in contact with any hot surfaces.
9. Do not operate the appliance with a damaged cord or plug, with a malfunction, or with any mechanical damages.
10. **NEVER LEAVE UNATTENDED WHILE IN USE.**
11. Do not touch hot surfaces. Always use handles or knobs to operate.
12. Keep door closed while operating. Do not touch kettle while operating – this area gets **HOT**. Kettle surface is HOT and should NOT be touched during popping or immediately after use.
13. Do not pop kernels with a dry popping kettle (i.e., without oil). To avoid overheating, always add oil first and then kernels before operating.
14. Be very cautious when emptying popcorn from the popping kettle to avoid burns from the kettle or from residual oil.
15. Allow HOT parts to cool down before moving. Use extreme caution when moving the appliance containing hot oil or other hot liquids.
16. Turn ALL switches to “OFF” position before disconnecting power plug from the wall supply outlet.
17. Unplug main power cord from outlet while not in use and before cleaning the popcorn machine.
18. To avoid any risk of electrical shock, do not immerse cord or plug into water or other liquid.
19. Do not immerse popping kettle set into water. **NO PARTS ARE INTENDED FOR THE DISHWASHER.**
20. **DO NOT USE ANY ABRASIVE CLEANING MATERIALS.**
21. The use of any accessory or attachment not provided or recommended by manufacturer may cause injury. **NEVER FORCE ANY PARTS OR BRACKETS INTO POSITION.**
22. Unplug, clean and store the popcorn machine in a dry and safe place if not being used for a long time.
23. Not recommended for use outdoors.
24. Do not use appliance for other than indicated usage.

**SAVE THESE INSTRUCTIONS**

# INSTRUCTIONS

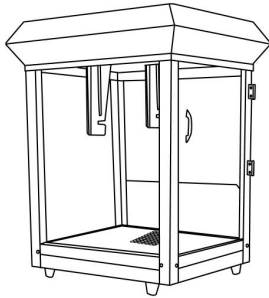
Thank you for purchasing the vintage style popcorn machine, which uses the latest technological advances in kettle popcorn operation.

**Model No. & Specifications:** Model No.:81200 & 81201  
Voltage: AC 120V~60Hz  
Input Power: 850W

Please read this Instruction Manual carefully before assembling and using the popcorn machine.

## **PARTS**

**FOR TABLETOP MODELS ONLY:**



**A**



**B**



**C**



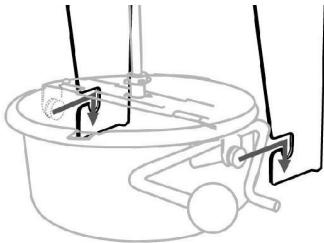
**D**

A. Main unit x 1 pc

C. Popcorn scoop x 1 pc

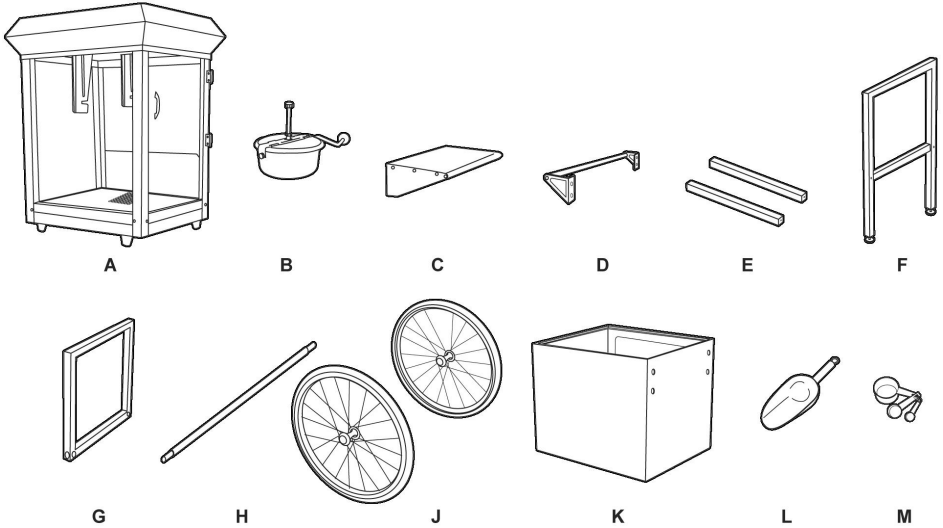
B. Kettle x 1 pc

D. Kernel scoop + Oil scoop set

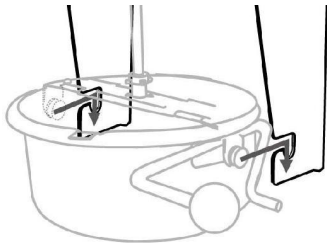


**Assemble the kettle (B) on the supporters which are built into the main unit (A), and connect the socket.**

## FOR TABLETOP WITH CART MODELS ONLY:



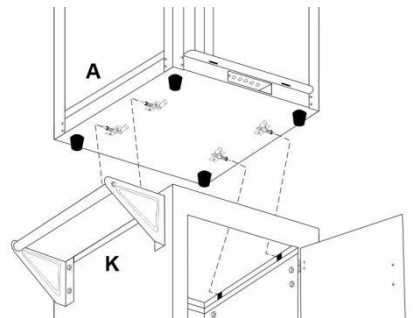
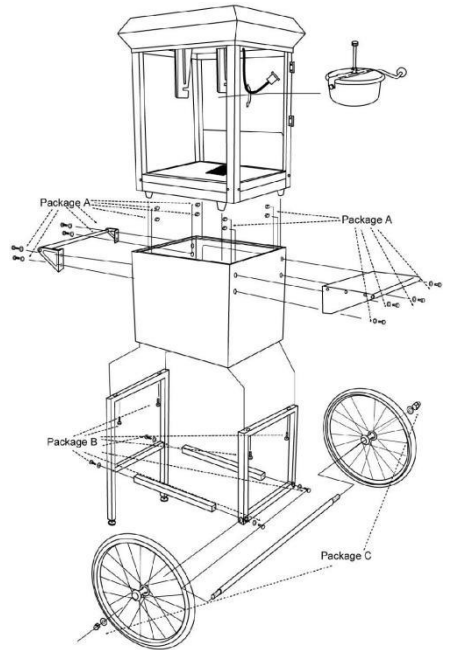
- A. Main unit x 1 pc
- B. Kettle x 1 pc
- C. Working platform x 1 pc
- D. Hand rail x 1 pc
- E. Square pole x 2 pcs
- F. Long stand x 1 set
- G. Short stand x 1 set
- H. Wheel axle x 1 pc.
- J. Wheels x 2 pcs.
- K. Storage cabinet x 1 pc
- L. Popcorn scoop x 1 pc
- M. Kernel scoop + Oil scoop set
- N. Cart hardware box include:
  - (Package A) 9/16"X1/2" Bolts x 8 pcs. + Nuts x 8 pcs. + Washers x 8 pcs.
  - (Package B) 9/16"X1-3/8" Bolts x 8 pcs. + Washers x 4 pcs.,
  - (Package C) 9/16" Nuts with round cap x 2 pcs. + Washers x 2 pcs.
  - (Package D) Wrench x 2 pcs



**Assemble the kettle (B) on the supporters which are built into the main unit (A), and connect the socket.**

## CART MODELS (81210 & 81211) ASSEMBLING PROCEDURES:

1. Use bolts & washers (Package B) provided to connect the Long stand (F) and the 2 pcs square pole (E) together.
2. Connect the completed above (1) with the short stand (G) by the bolts & washers (Package B).
3. Insert axle (H) into short stand. Place sleeves and washers (Package C) onto each side of wheels (J) and then fix it with round cap nuts by wrenches provided (Package D).
4. Turn the storage cabinet (K) up side down for convenient assembling. Insert both ends of the short and long stand into the bottom of (H) and then fix by bolts in (Package B).
5. Turn the complete unit back to up-right position. Install the handrail (D) on the storage cabinet (K) **[on the other side of the wheels (J)]** & the working platform (C) on the storage cabinet (K) **[on the same side of the wheels (J)]** by bolts & nuts with washers included in (Package A).
6. Place the main unit (A) onto the topside of the storage cabinet. Use the four spring loaded latches (Under the Main Unit) to secure the popping unit to the storage cabinet.
7. Hook up the Kettle (B) onto the hanger.  
(Caution: Roller bar should be on the door side and also check if gears between pot and ceiling are perfectly matched).
8. Connect the power plug from the ceiling with the socket on the bottom of the kettle.



## USING YOUR POPCORN MACHINE

- 1) Make sure the popcorn maker is unplugged before you do any of the following.
- 2) Before using the unit, please check carefully if voltage is suitable to the country. (Please check if the voltage is matching with rating label specified next to the power cord).
- 3) Clean the internal surface of the kettle and main unit surfaces.
- 4) Main unit has 3 function switches as follows:



Spot light and warmer (I)



Stirrer (II)



Stainless steel Kettle heater (III)

- 5) Hook up the kettle onto the hanger of the main unit.
- 6) Plug in the power cord to the popcorn maker.
- 7) Switch on the light and heater (I & III), and then fill in suitable amount of butter or oil (Fig. 1). Consumer could fill amount of oil (Max. 15g) subject to your own preference .
- 8) Kettle should be pre-heated for 3 to 4 minutes with oil (until steam comes out from the kettle). Please prepare kernels with sugar. (Measure amount of kernels by measuring scoop provided and amount of sugar subject to your own preference, liquid sugar and honey are prohibited to be used.)
- 9) Open the lid and then pour in pre-mixed kernel and sugar. (Fig. 2)  
**Caution: Lid might be hot and recommend using an oven mitten.**
- 10) Switch ON the Stirrer (II) so that it starts stirring. (Fig. 3)
- 11) Close the door carefully.
- 12) Popcorn starts popping out through the lid after about 2 to minutes. (Fig. 4)
- 13) Switch OFF the stirrer & heater (II & III) when popping completed (No more popping sound from kettle). Rotate the roller bar of the kettle and pour out all remaining popcorn from kettle.

- 14) Keep heater switch (III) OFF if the unit is not continuously running. Keep only the spot light and warmer ON to keep the popcorn warm, dry and tasty.
- 15) Serve your popcorn with popcorn scoop provided.
- 16) Remove plug from power supply if the unit is not being used for a long time.
- 17) Repeat steps 7 to 10 for continue popping.

Fig. 1



Fig. 2

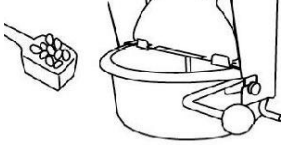


Fig. 3



Fig. 4



## **Cleaning and Maintenance**

- With a clean damp cloth, wipe the doors, glass and metal surfaces. Do NOT use any acidic, citrus based cleaners or abrasive cleaners on the acrylic doors as they might cause scratching or dullness.
- Frequently empty the catch tray of unpopped popcorn kernels and clean with soap and water. Dry thoroughly.

Frequent cleaning of the popcorn kettle is strongly recommended. This will help prevent burning of excess oils on the bottom of the kettle.

- Let the unit cool down before cleaning.
- Use wet cloth to clean the kettle surface inside and out.

To thoroughly clean the popcorn kettle, turn off the unit and add 1-1/2 to 2 cups of hot water into the kettle (no detergent is necessary). Place a towel in the bottom of the main unit and place a large bowl or container on the towel (the container must be large enough to easily pour water from the popcorn kettle). Turn ON the Stirrer & Heater (2) and bring water to boil for 1 to 2 minutes. Turn OFF stirrer and heater and carefully pour the water from the popcorn kettle to the bowl or container. **CAUTION: Kettle and water will be HOT!** Repeat same procedure 2 to 3 times for best results.

**Never immerse the kettle into water or place in dishwasher.**

**ELINS**